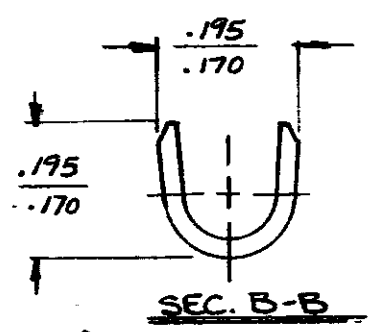
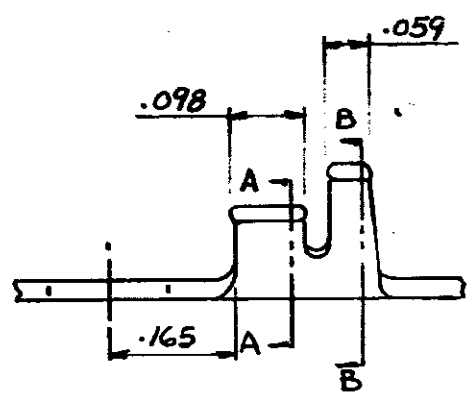
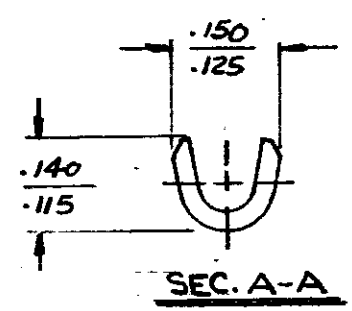
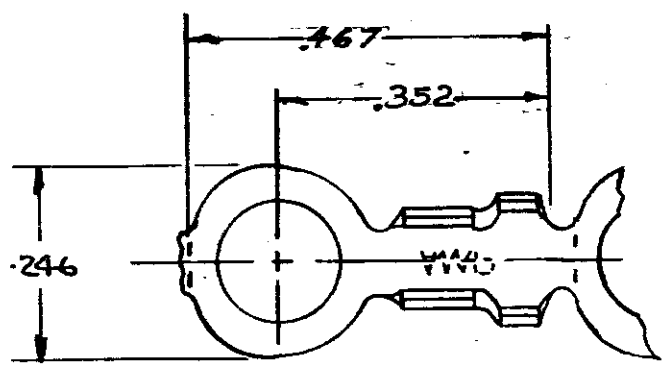


NUMBER 41471



WIRE SIZE AWG	INSULATION RANGE	STUD &	HOLE DIA. ±.003	MATERIAL AND FINISH	TERMINAL NUMBER
20-16	.100-.135	→	.156	.025 - BRASS - NONE	41471
20-16	.100-.135	→	.156	.025 - BRASS - TIN	41472

CONTINUOUS STRIP, ON REELS

DIMENSIONS IN INCHES. DO NOT SCALE PRINT.

©1965 BY AMP INCORPORATED. ALL RIGHTS RESERVED. AMP PRODUCTS COVERED BY PATENTS AND/OR PATENTS PENDING.

CUSTOMER COPY REFERENCE ONLY

MATERIAL AND FINISH
 WIRE RANGE INSULATION TYPE



CLASS
 TYPE

TR	REVISION RECORD	DR	CHK	DATE
	C. MEYERS 1-14-65	DE	P. Johnson 1-14-65	
	CHK	APP	L. Sprague 1-19-65	

TOLERANCE EXCEPT AS NOTED ±.015	SCALE 4-1	LOC AP	NO 41471	REV D
NAME RING				